



BASIC CARE

THE V.360° IS DESIGNED FOR ACTIVE LIFESTYLES. PROPER USE AND CARE OF THE V.360° IS ESSENTIAL FOR OPTIMAL PERFORMANCE TO KEEP THE CAMERA IN PROPER WORKING ORDER, MAKE SURE THE BATTERY DOOR IS PROPERLY INSTALLED TO PROVIDE A WATER-TIGHT SEAL. FAILURE TO DO SO WILL RESULT IN DAMAGE TO THE CAMERA.

CLEANING INSTRUCTIONS

CLEAN CAMERA WITH THE INCLUDED MICROFIBER POUCH OR A SOFT CLOTH OR TOWEL. THE USE OF CLEANING AGENTS INCLUDING ISOPROPYL ALCOHOL ARE NOT RECOMMENDED.

STORAGE

FOR BEST RESULTS, STORE YOUR CAMERA INSIDE THE INCLUDED MICROFIBER POUCH AT ROOM TEMPERATURE IN A CLEAN AND DRY AREA.

LEARN MORE

TO LEARN MORE ABOUT YOUR V.360° FEATURES AND SAFETY INFORMATION, PLEASE VISIT WWW.V360LIFE.COM

GETTING SUPPORT

PLEASE VISIT WWW.V360LIFE.COM/SUPPORT FOR DEVICE SUPPORT.

SOFTWARE UPDATES

TO ENSURE YOUR CAMERA HAS THE LATEST FEATURES, VISIT WWW.V360LIFE.COM TO DOWNLOAD AND INSTALL SOFTWARE UPDATES.

SD CARDS

ALL SD CARDS ARE NOT COMPATIBLE WITH THE V.360° CAMERA. FOR BEST RESULTS, PLEASE USE THE FOLLOWING SD CARD TYPES:

TYPE	SPEED	CAPACITY
MICROSDHC	CLASS 10, UHS-1 OR HIGHER	UP TO 128 GB
MICROSDXC	CLASS 10, UHS-1 OR HIGHER	UP TO 128 GB

WARRANTY

FOR DETAILS REFER TO FULL WARRANTY TERMS AND CONDITIONS FOUND AT WWW.V360LIFE.COM/SUPPORT

FOR A COPY OF THE WARRANTY TERMS & CONDITIONS, PLEASE SEND YOUR REQUEST TO: SUPPORT@VSNMOBIL.COM

TERMS AND CONDITIONS

THE USE OF V360° IS SUBJECT TO THE TERMS AND CONDITIONS FOUND AT WWW.V360LIFE.COM/TERMSANDCONDITIONS

TJ MARTELL FOUNDATION

VSN MOBIL IS A PROUD SUPPORTER AND SPONSOR OF THE T.J. MARTELL FOUNDATION. THE T.J. MARTELL FOUNDATION IS THE MUSIC INDUSTRY'S LARGEST FOUNDATION THAT FUNDS INNOVATIVE MEDICAL RESEARCH FOCUSED ON FINDING CURES FOR LEUKEMIA, CANCER AND AIDS. THE FOUNDATION SOURCES AND SUPPORTS EARLY-STAGE RESEARCH PROJECTS AIMED AT DEVELOPING MORE EFFECTIVE CLINICAL TREATMENTS FOR PATIENTS WHICH OTHERWISE MIGHT NOT BE FUNDED. FOR MORE INFORMATION, PLEASE VISIT WWW.TJMARTELL.ORG.

LEGAL

V.360° AND VSN MOBIL ARE TRADEMARKS OF VSN TECHNOLOGIES, INC. IPHONE, IPAD AND APP STORE ARE REGISTERED TRADEMARKS OF APPLE INC. ANDROID AND GOOGLE PLAY ARE TRADEMARKS OF GOOGLE INC. © 2014 VSN MOBIL. ALL RIGHTS RESERVED.

P/N: OV360001A

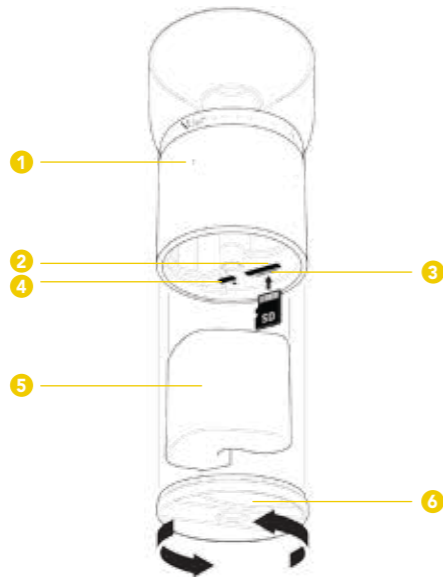




PLEASE READ THIS GUIDE BEFORE YOU USE THIS PRODUCT.

- 1 LED INDICATOR
- 2 USB 3.0 CHARGING PORT
- 3 SD CARD SLOT – A MICRO-SD CARD IS REQUIRED FOR OPERATION. INSERT SD CARD INTO SLOT. PRESS DOWN GENTLY TO LOCK INTO PLACE
- 4 HDMI PORT – CABLE NOT INCLUDED. USE OF FERRITE CORE HDMI CABLES IS HIGHLY RECOMMENDED
- 5 BATTERY:
 - INSERT BATTERY WITH THE PULL-TAB FACING DOWN
 - CHARGE FOR AT LEAST 2 HOURS PRIOR TO USE BY CONNECTING THE SUPPLIED USB 3.0 CABLE
 - YOUR CAMERA'S LED INDICATOR WILL TURN SOLID GREEN WHEN CHARGING IS COMPLETE
- 6 BATTERY DOOR:
 - TURN COUNTER CLOCKWISE TO UNLOCK
 - TO ATTACH, TURN CLOCKWISE TO LOCK IT INTO PLACE
 IMPORTANT: VERIFY THE BATTERY DOOR IS SEATED PROPERLY TO ENSURE THE CAMERA'S WATERTIGHT SEAL IS INTACT

ASSEMBLY



INITIAL SET UP

V.360° COMPANION APPLICATION

THE V.360° APPLICATION CONTROLS YOUR CAMERA VIA AN ANDROID™ OR IOS® SMARTPHONE OR TABLET.

TO GET STARTED, DOWNLOAD THE FREE V.360° COMPANION APPLICATION FROM GOOGLE PLAY™ OR THE APPLE APP STORE® AND INSTALL IT ONTO YOUR DEVICE.

IT IS RECOMMENDED THAT YOU PERSONALIZE YOUR CAMERA BY CHANGING THE DEFAULT CAMERA NAME AND PIN AFTER INITIAL SETUP.

CAMERA ON/OFF

THE CAMERA WILL TURN ON AUTOMATICALLY WHEN YOU CONNECT VIA THE V.360° APP. TO TURN YOUR CAMERA OFF, TOUCH THE GENERAL SETTINGS ICON ON YOUR APP AND SLIDE THE SWITCH NEXT TO POWER OFF CAMERA TO OFF.

CONNECT TO CAMERA

TO ESTABLISH A CONNECTION TO YOUR CAMERA USING A SMARTPHONE OR TABLET:

- (1) ENSURE THAT WIFI AND BLUETOOTH ARE ENABLED WITHIN THE SETTINGS MENU ON YOUR DEVICE.
- (2) LAUNCH THE V.360° COMPANION APPLICATION. YOUR DEVICE WILL AUTOMATICALLY SEARCH FOR AVAILABLE CAMERAS.
- (3) TOUCH THE CAMERA'S ICON TO ESTABLISH A CONNECTION VIA BLUETOOTH. THE CAMERA LED WILL RAPIDLY BLINK GREEN TO INDICATE THAT IT IS POWERING ON.
- (4) WHEN CAMERA IS ON AND IN READY MODE, THE LED WILL SLOWLY FLASH GREEN.
- (5) WHEN PROMPTED, ENTER THE DEFAULT PIN (0000) FOR YOUR CAMERA THE FIRST TIME YOU CONNECT TO YOUR CAMERA.
- (6) ONCE CONNECTED, THE APP WILL GUIDE YOU THROUGH INSTRUCTIONS TO ESTABLISH A CONNECTION TO YOUR CAMERA AS A WIFI HOST.
- (7) RE-LAUNCH THE V.360° APP AND TOUCH THE CAMERA ICON TO ESTABLISH A CONNECTION VIA WIFI

HOME SCREEN LAYOUT



* IMAGES ARE FOR REFERENCE ONLY.

- 1 BACK BUTTON – TOGGLE TO PREVIOUS SCREEN
- 2 SHOTGLASS VIEW FINDER – TOGGLE LEFT/RIGHT TO ROTATE, UP/DOWN TO SWITCH TO FLAT VIEW
- 3 MODE CAROUSEL – SCROLL LEFT/RIGHT TO SWITCH BETWEEN VIDEO, PHOTO, BURST, TIME LAPSE, & SURVEILLANCE MODES
- 4 SHUTTER BUTTON – START/STOP RECORDING, CAPTURE PHOTOS
- 5 MODE SPECIFIC SETTINGS TAB
- 6 REMOTE CONTROL TAB – ACCESS TO CAMERA CONTROLS/FEATURES
- 7 MEDIA GALLERY – DISPLAY STORED CONTENT (VIDEOS & PHOTOS)
- 8 SD CARD - REMAINING PHOTOS/VIDEO RECORD TIME
- 9 SD CARD - STORED PHOTOS/VIDEO COUNTER
- 10 LIVE STREAM VIEWER – ON/OFF
- 11 CAMERA BATTERY LIFE INDICATOR
- 12 GENERAL CAMERA SETTINGS